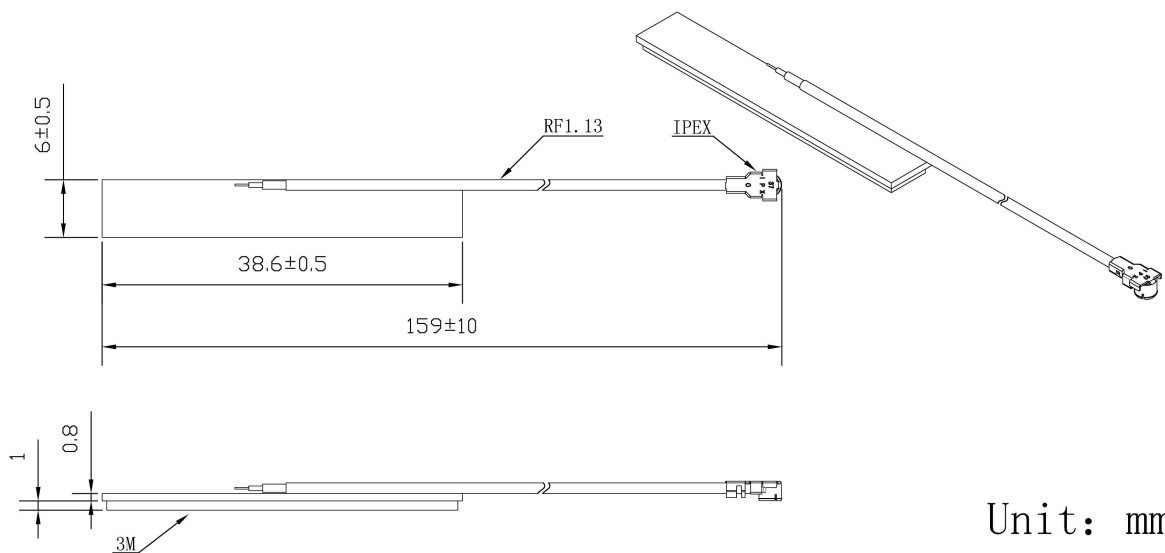


WIFI Internal Antenna

JCW420



DIMENSIONS



SPECIFICATIONS

Item		Specifications
Antenna	Frequency Range	2400~2483.5MHz
	Polarization	Linear
	Gain	3dBi
	V.S.W.R	<2.0
	Impedance	50 Ω
	PCB Dimension	38.6*6*0.8mm
Mechanical	Cable	RF1.13 or others
	Connector	IPEX
	Mounting Method	Adhesive or Embedded
Environmental	Operating Temperature	-40°C~+85°C
	Vibration	10 to 55Hz with 1.5mm amplitude 2hours
	Environmentally Friendly	ROHS Compliant