

# Product Specification



## Patch Antenna

### JLT1596S20P4A

#### Feature

High gain , Compact

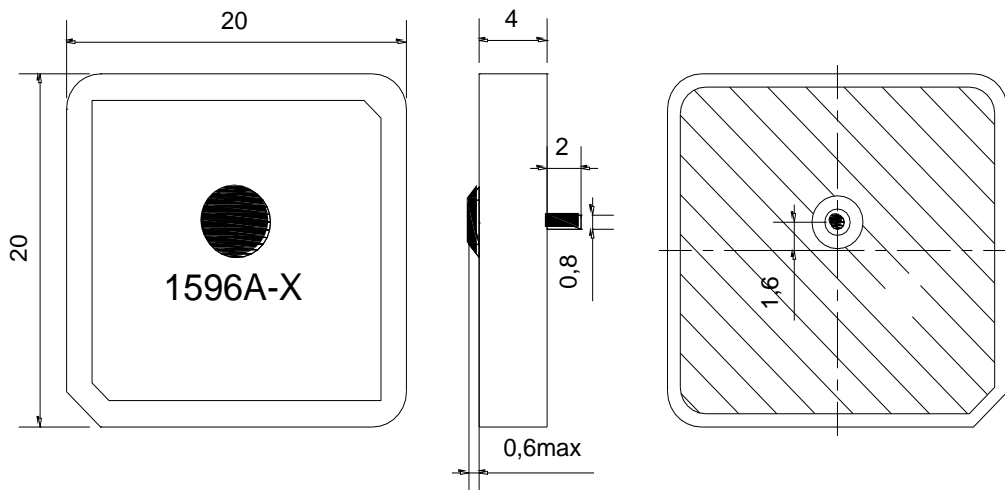
Pin type

Customization available

#### Electrical Specification

Center Frequency	1596± 3.0 MHz
Return Loss @ F0	≥ 15dB
Bandwidth @ 10dB Return loss	≥ 7MHz
Polarization	RHCP
Gain @ Zenith	-
Ground plane	20 x 20 mm
Impedance	50 Ω
Frequency Temperature Coefficient	±20 ppm/°C
Operation Temperature Range	-40 ~ +85°C

#### Mechanical Drawing



The last "X" is the serial number of month

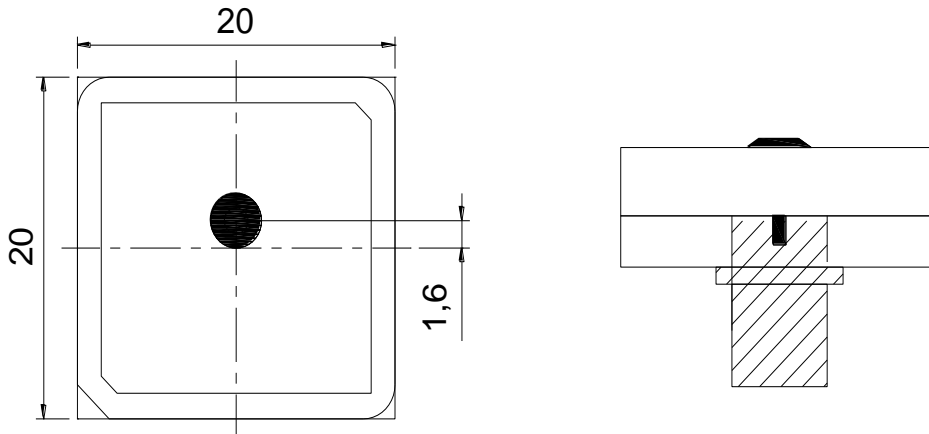
Tolerance Unless Otherwise Specified:±0.30  
Unit: mm

# Product Specification



## Patch Antenna JLT1596S20P4A

### Test Fixture



### Characteristics

